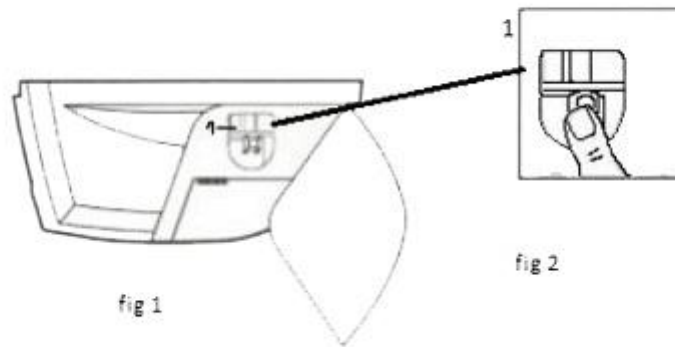


For 94335E/C945 Instruction



Programming of your new remote control :

1. Open the casing of your motor (fig 1).
2. Press the programming button (fig 2). Let the button go. The LED light on the motor illuminates.
3. Press a button on your new remote control. Keep it pressed down. The LED light on the motor blinks. Let the button go.
4. Wait 10 seconds.
5. Your new remote control is programmed.

Please know it, different motor or receiver (control box, control board) its coding way may be different.